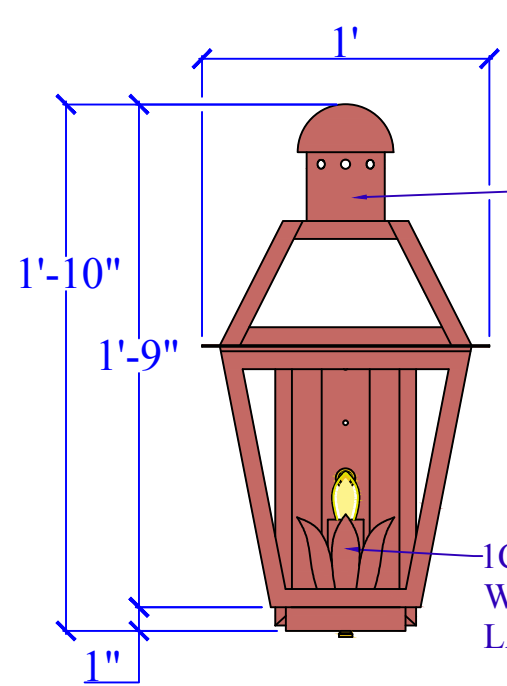


STANDARD 4" ROUND OR SQUARE PANCAKE BOX WITH HANGAR BAR. USE PROPER ANCHOR BOLTS/LAG BOLTS TO SECURE.

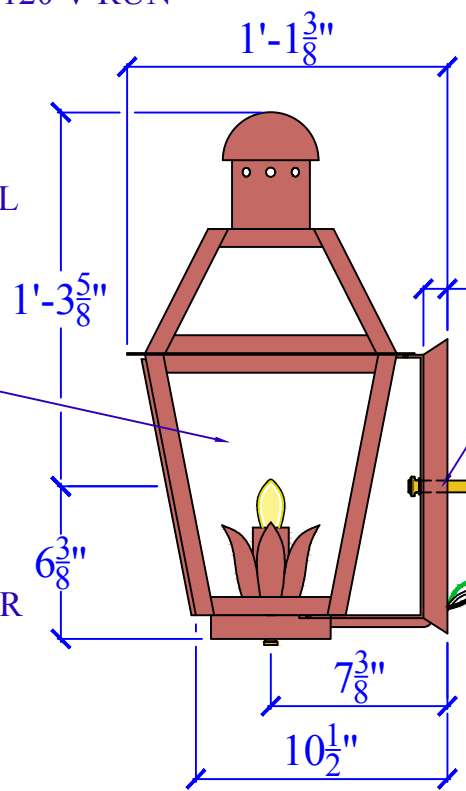
110/120 V RUN



NATURAL COPPER

CLEAR GLASS

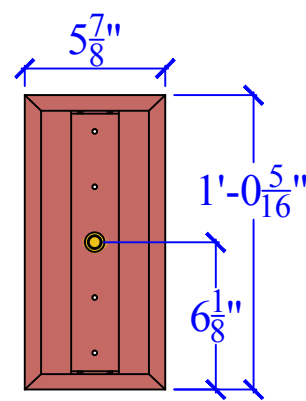
1C EDISON WITH COPPER LAUREL



BRASS ALLTHREAD

GROUND  
NEUTRAL  
HOT

BACK PLATE DIMENSIONS



**CHARLESTON LIGHTING AND MANUFACTURING, INC. (CLM)**

212 E. I-65 SERVICE ROAD N. PHONE: (251) 478-0072 FAX: (251) 471-5945 MOBILE, ALABAMA 36607  
 WWW.CHARLESTONLIGHTING.COM WWW.FAUBOURGLIGHTING.COM WWW.CHARLESTONGASLIGHT.COM

**SPECIFICATION SHEET**

COPYRIGHT 1994 TO CURRENT YEAR, CHARLESTON LIGHTING & MANUFACTURING, INC. (CLM). ALL DESIGNS, DRAWINGS, MODEL NUMBERS, AND LANTERN DESIGNATIONS ARE THE SOLE AND EXCLUSIVE PROPERTY OF (CLM) AND SHALL NOT BE DUPLICATED IN WHOLE OR PART WITHOUT THE WRITTEN CONSENT OF (CLM).

LIGHT:	FAU 1000 - 1C (LAUREL) - 6C-C	DATE:	APP.BY:	J.D.
BRACKET:	6C-C - H21" W12"		REV.	