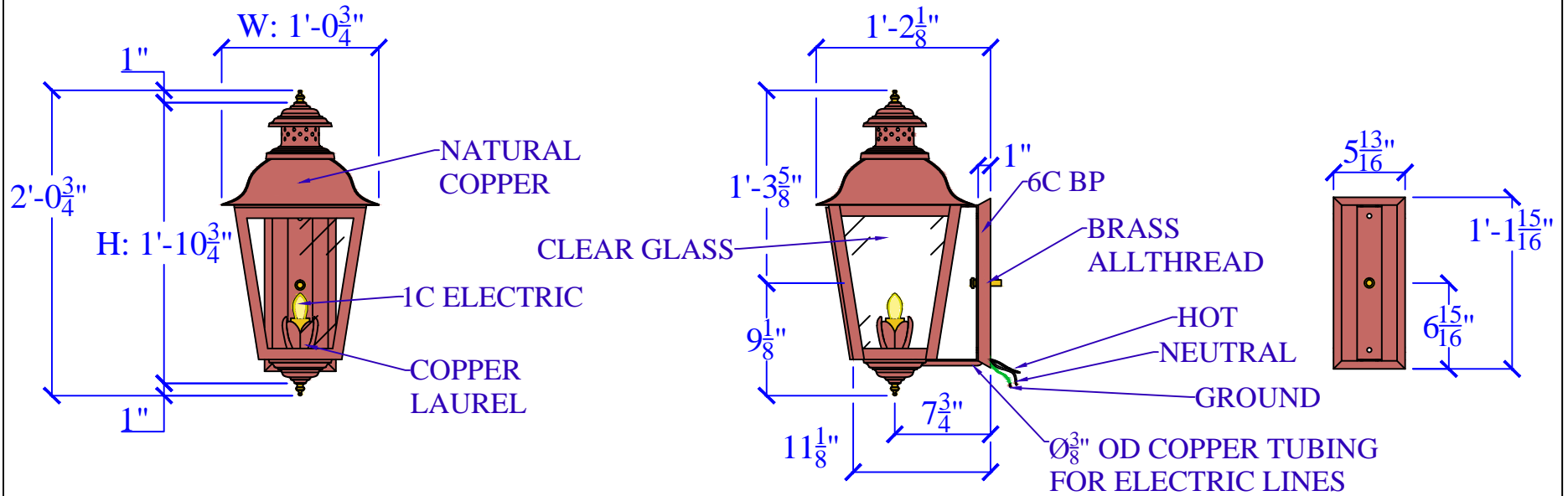


STANDARD 4" ROUND OR SQUARE PANCAKE BOX WITH HANGAR BAR. PANCAKE BOX MUST BE SECURED TO HOLD FIXTURE. USE PROPER ANCHOR BOLTS/LAG BOLTS

110/120 V RUN



CHARLESTON LIGHTING AND MANUFACTURING, INC. (CLM)

SHOP DRAWINGS

212 E. I-65 SERVICE ROAD N. PHONE: (251) 478-0072 FAX: (251) 471-5945 MOBILE, ALABAMA 36607
 WWW.CHARLESTONLIGHTING.COM WWW.FAUBOURGLIGHTING.COM WWW.CHARLESTONGASLIGHT.COM

COPYRIGHT 1994, CHARLESTON LIGHTING & MANUFACTURING, INC. (CLM). ALL DESIGNS, DRAWINGS, MODEL NUMBERS, AND LANTERN DESIGNATIONS ARE THE SOLE AND EXCLUSIVE PROPERTY OF (CLM) AND SHALL NOT BE DUPLICATED IN WHOLE OR PART WITHOUT THE WRITTEN CONSENT OF (CLM).

LIGHT:	AL - 4012 - 1C Laurel - 6C Copper Back Plate	DATE:	APP.BY:	J.D.
BRACKET:	6C Copper Back Plate		REV.	