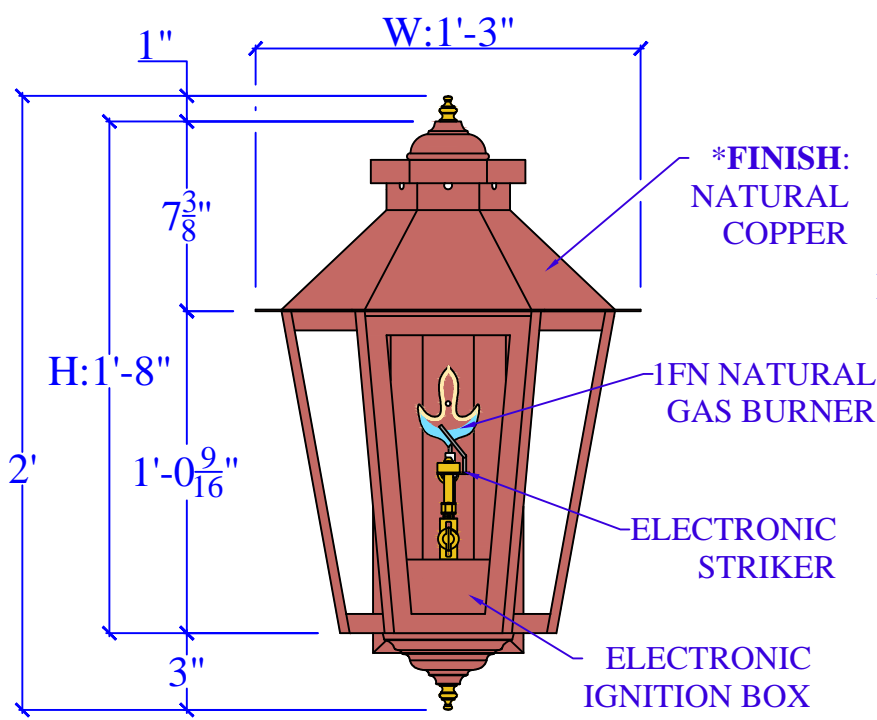


STANDARD 4" ROUND OR SQUARE PANCAKE BOX WITH HANGAR BAR. USE PROPER ANCHOR BOLTS/LAG BOLTS TO SECURE.

110/120 V RUN

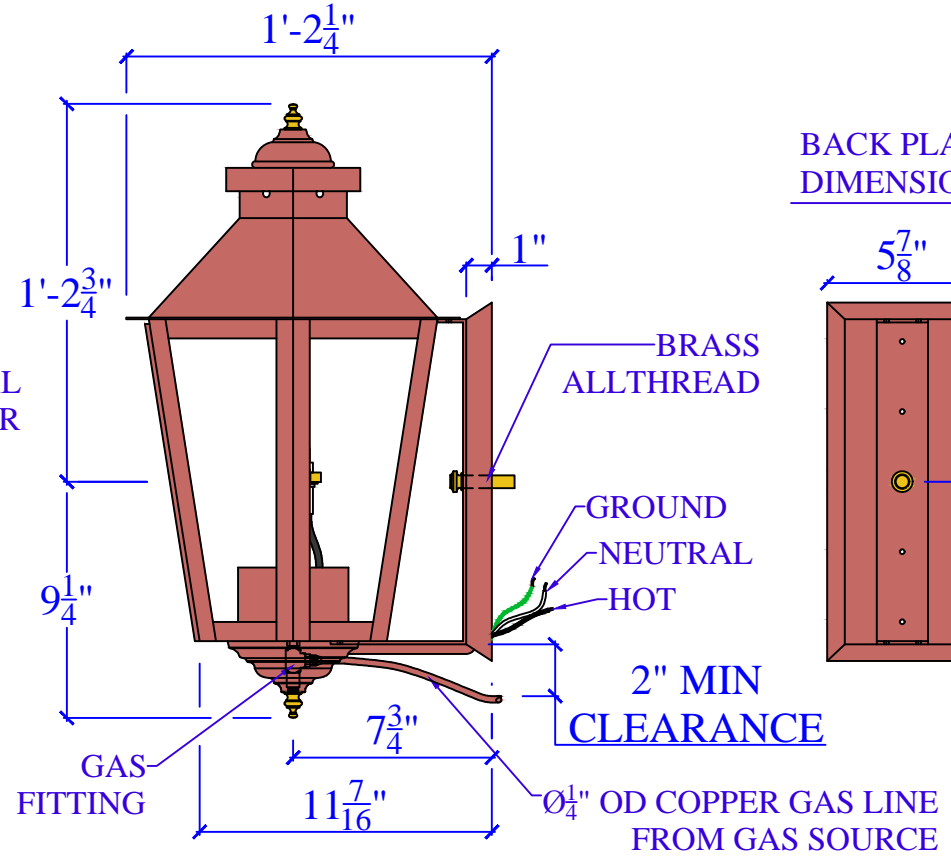


\*FINISH:  
NATURAL  
COPPER

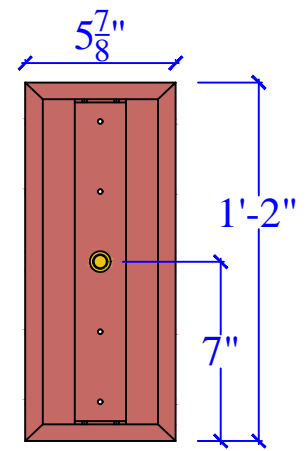
1FN NATURAL  
GAS BURNER

ELECTRONIC  
STRIKER

ELECTRONIC  
IGNITION BOX



BACK PLATE  
DIMENSIONS



BRASS  
ALLTHREAD

GROUND  
NEUTRAL  
HOT

GAS  
FITTING

**JOHNSTONE BAY, INC. (JB)**

1800 EAST I-65 SERVICE RD. N.      PHONE: (251) 478-0072      FAX: (251) 471-5945      MOBILE, ALABAMA 36617  
 WWW.CHARLESTONLIGHTING.COM    WWW.FAUBOURGLIGHTING.COM    WWW.CHARLESTONGASLIGHT.COM

**SPECIFICATION SHEET**

COPYRIGHT 1994 TO CURRENT YEAR, JOHNSTONE BAY, INC. (JB)  
 ALL DESIGNS, DRAWINGS, MODEL NUMBERS, AND LANTERN  
 DESIGNATIONS ARE THE SOLE AND EXCLUSIVE PROPERTY OF (JB)  
 AND SHALL NOT BE DUPLICATED IN WHOLE OR PART WITHOUT  
 THE WRITTEN CONSENT OF (JB).

LIGHT:	ORLEANS - H20" W15" - 1FN - EI	DATE:	APP.BY:	J.D.
BRACKET:	6C COPPER BACK PLATE		REV.	